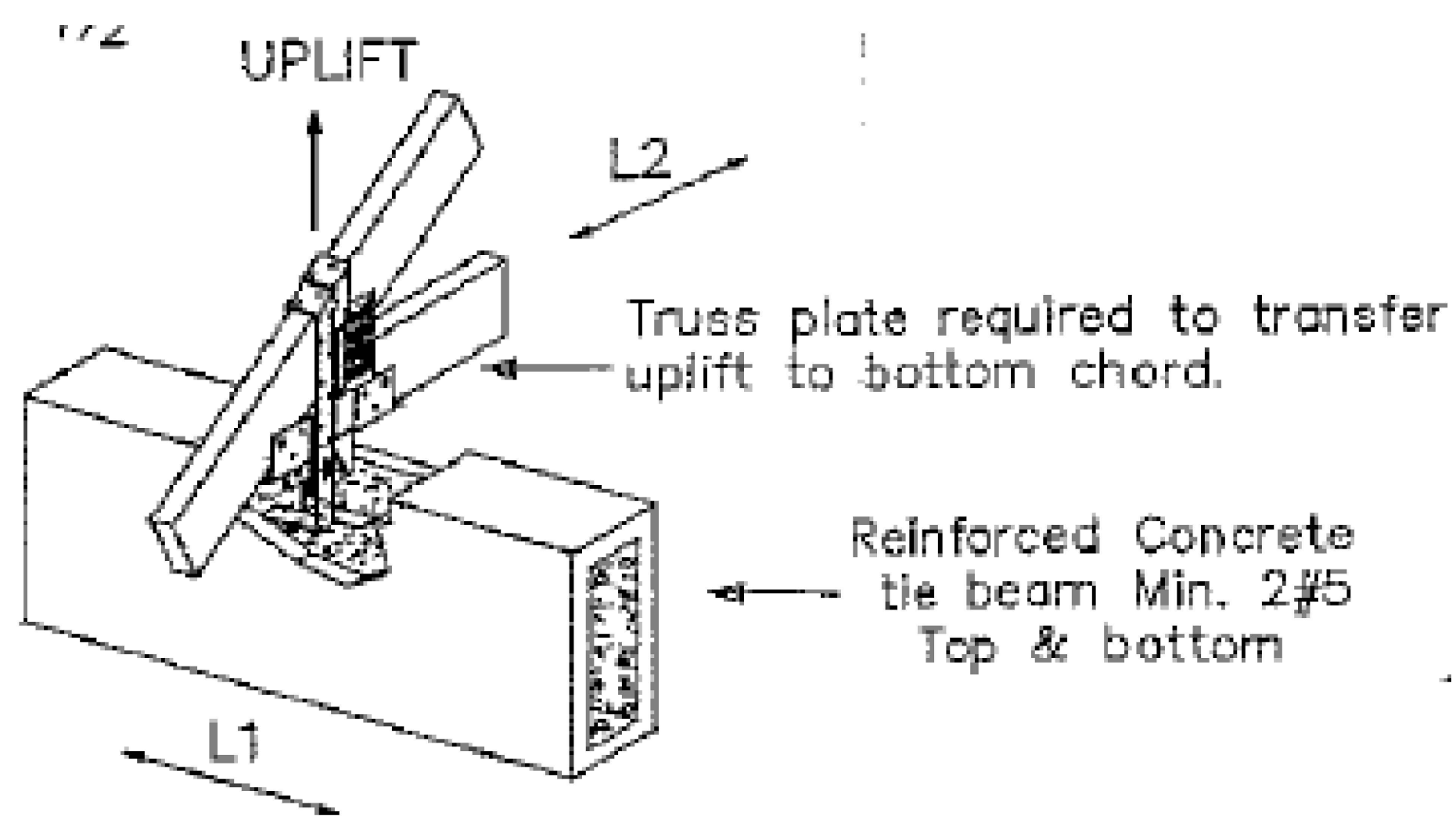
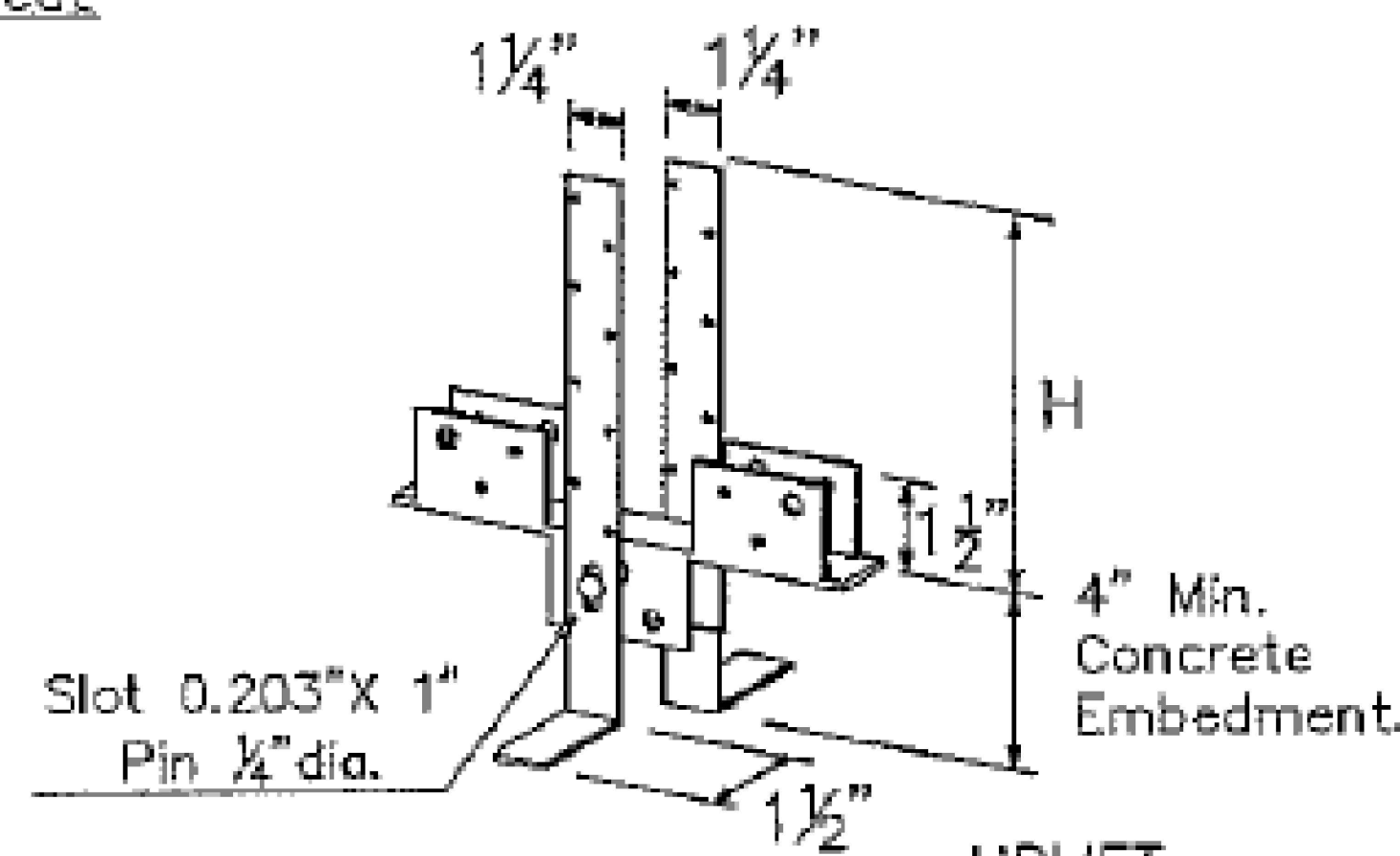


CN-2 TWO PLY TRUSS (Max. Uplift) Single Installation (lb) 4,725 FL # 11473.2

Model No.	Qty.	Fasteners		Allowable Uplift Load (lb.)	
		Truss / Rafter (Strong-Drive® SDS)	GFCMU / Concrete (Titen HD®)	DF/SP (160)	SPF/HF (160)
FGTR	1	(18) 1/4" X 3"	(2) 1/2" X 5"	4,725	3,400
	2	(36) 1/4" X 3"	(4) 1/2" X 5"	8,885	6,395
FGTRHLR	1	(18) 1/4" X 3"	(2) 1/2" X 5"	3,635	2,615

DOUBLE NVTH STRAPS					
TOTAL N° OF FASTENERS IN TWO STRAPS 10d x 1 1/2"	TOTAL N° OF FASTENERS IN 20 GA. SEAT 10d x 1 1/2"	ALLOWABLE LOADS (lbs)			
		UPLIFT ⁶	UPLIFT ⁵	L1 ⁶	L2 ⁶
10	6	1772	2078	1050	1450

eat



CN 1

STRUCTURAL LOADS

ROOF - DEAD LOADS:

PLYWOOD SHEATHING = 2 PSF; UNDERLAYMENT = 1 PSF, MISC. = 2 PSF.
TOTAL DEAD LOAD FOR ROOF = 15 PSF

FLOOR & ROOF LIVE LOADS:

ALLOW FOR 25 PSF FOR LIVE LOAD AND 40 PSF FOR FLOOR LIVE LOAD

CEILING DEAD LOADS:

DRYWALL (1/2") = 2.5 PSF, WOOD FURRING SUSPENSION SYSTEM= 2.5, INSULATION, DUCT WORK, FIXTURES, ETC = 5 PSF. TOTAL LOAD = 1- PSF

WALL INTERIOR- DEAD LOADS:

WOOD OR STEEL STUDS WITH 1/2" DRYWALL BOTH SIDE, ASSUMING 20% OPENING 20% OPENING(DOORS ETC.) MISC. ELECTRICAL, PLUMBING ETC. 10PSFF
TOTAL DEAD LOAD W/ 9' CEILING HEIGHT = 90 PLF

WALL EXTERIOR CMU - DEAD LOADS

8" CMU WITH 25% GROUT FILLED CELLS, 3/4" STUCCO(EXTERIOR), 1/2" DRYWALL W/ NAILING STRIPS (INTERIOR), MISC. ELECTRICAL, PLUMBING ETC. 75 PSF
TOTAL DEAD LOAD W/ 9' CEILING HEIGHT = 675 PLF.

GENERAL BOND BEAM NOTES

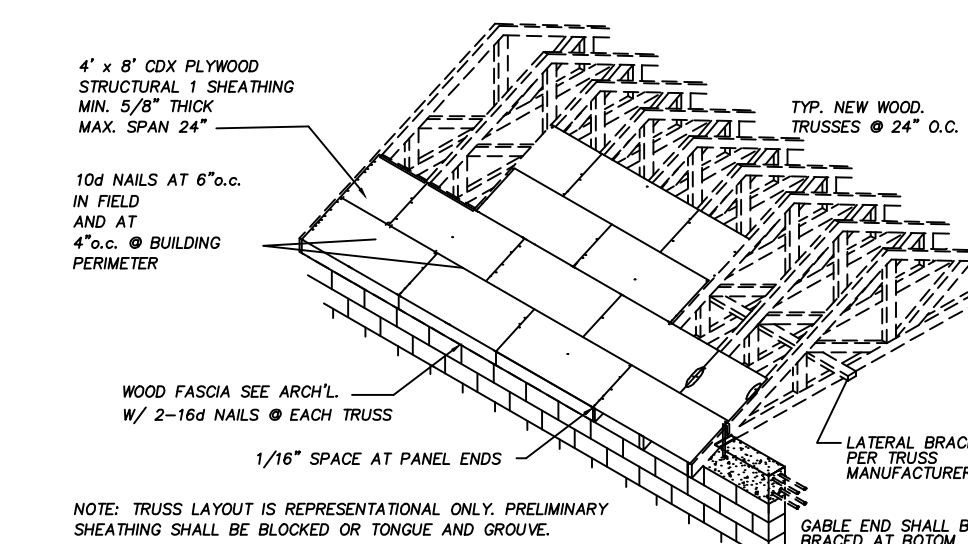
- ALL BOND BEAM REINFORCING SHALL BE CONTINUOUS THRU BOND BEAMS ONLY. ALL SPLICES TO BE A MINIMUM OF 48 BAR DIAMETERS.
- ALL BOND BEAM TOP & BOTTOM REINFORCING SHALL EXTEND INTO SPAN OF ANY ADJACENT STRUCTURAL BEAM 24" MIN.
- BOND BEAM SCHEDULED DEPTHS ARE MINIMUM AND MAY BE INCREASED (8" MAXIMUM) TO FIT BLOCK WORK.
- ALL ADDED LONGITUDINAL BEAM REINFORCING SHALL EXTEND 4" MINIMUM INTO SUPPORT UNLESS NOTED OTHERWISE.

TRUSS ANCHOR SCHEDULE

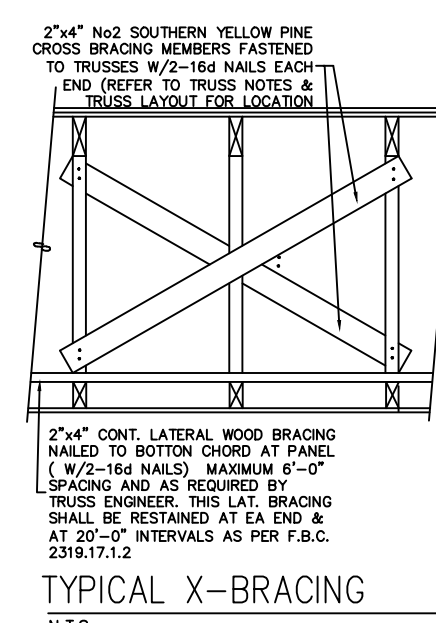
MANUFACTURER	MODEL	FASTENERS		UPLIFT ACTUAL	UPLIFT ALLOW	f1 ACTUAL	f2 ACTUAL	REMARKS	NOTICE OF ACCEPTANCE NOA
		TRUSS/JOIST	BEAM/PLATES						
(CN-1) NU-VUE IND, Inc.	NVTH 28 (DOUBLE)	8-10d X 1 1/2"	-----	1527	2245	1050	1450	-----	17-0802.07
(CN-2) SIMPSON COM. INC.	FGTR	(18) 1/4" X 3"	(2) 1/2" X 5"	2177	(1) 4,725	-----	-----	(1) ONE SIDE	FL 11473

BEAM SCHEDULE

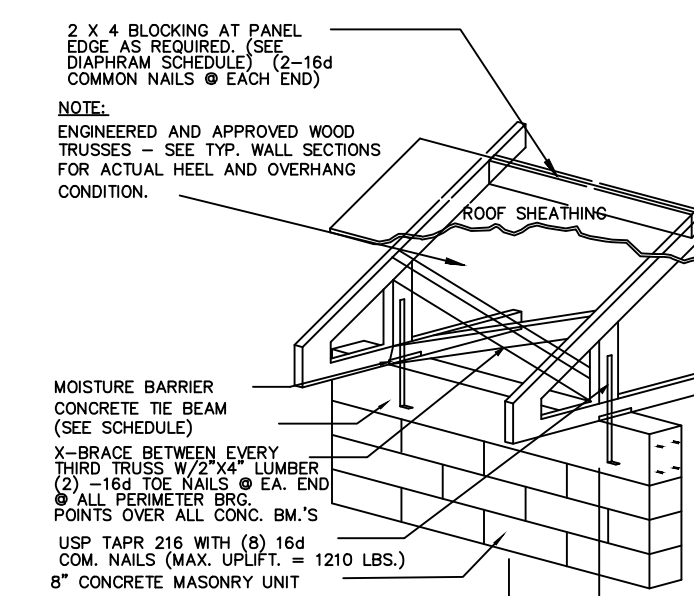
MARK	TOP OF BEAM ELEV	SIZE	REINFORCING		DESIGNATION	REMARKS
			B	T		
BB-1	*	8'x24"	1#5	1#5	8F24-1B/1T	(*) B.O.B.B. = T.O.OPENING (*) T.O.B.B. = B.O. SLAB
RBB-1	*	8'x24"	1#5	1#5	8F24-1B/1T	(*) B.O.B.B. = T.O.OPENING (*) T.O.B.B. = B.O. SLAB



ROOF SHEATHING #2



TYPICAL X-BRACING N.T.S.



TYPICAL STRAPS & PANEL BLOCKING DTL (SEE MULTIPLE STRAPS WHERE REQUIRED (SEE ROOF PLAN))

SECURITY NOTES:

APPLICABLE ITEMS FBC 2017 EXT'G
RE: INTRUSION AND BURGLARY SECURITY

- ALL LOCKS ON EXTERIOR DOORS SHALL BE CAPABLE OF RESISTING A FORCE OF 300 LB. APPLIED IN ANY MOVABLE DIRECTION AND IN ACCORDANCE WITH RESISTANCE STANDARDS SET FORTH IN METRO CODE 36C.
- ALL SINGLE EXTERIOR SWING DOORS SHALL HAVE A LOCK TO BE KEY OPERATED FROM EXTERIOR WITH A MIN. OF 6,000 POSSIBLE KEY CHANGES OR LOCKING AUXILIARY
- THE ACTIVE LEAF OF PAIRS OF EXTERIOR SWING DOORS SHALL HAVE SAME LOCKS AS REQUIRED FOR SINGLE EXTERIOR SWING DOORS. THE INACTIVE LEAF OF THESE PAIRS OF DOORS SHALL HAVE MULTIPLE POINT LOCKS WITH 3/8" MIN. THROW BOLTS WITH INSERTS.
- HINGES ON EXTERIOR OUT-SWINGING DOORS SHALL HAVE NON-REMOVABLE PINS.
- JAMBS OF ALL EXTERIOR OFFSET TYPE IN-SWING DOORS BE RABBETED, OR OF SIMILAR FABRICATION, TO PREVENT DEFEATING THE PURPOSE OF THE STRIKE AND THE INTEGRITY OF LOCKS AND LATCHES.
- SINGLE, SWINGING, EXTERIOR DOORS, IF USED SHALL BE SOLID CORE OF NO LESS THAN 1 3/4" THICK.
- GLASS AND EXTERIOR DOORS SHALL COMPLY WITH THE AMERICAN NATIONAL STANDARDS INSTITUTE'S STANDARD 297.1.
- VISION PANELS IN EXTERIOR DOORS OTHER THAN GLAZING WITHIN 40" OF THE INSIDE LOCKING ACTIVATING DEVICE OF LOOSE AND SWINGING DOORS SHALL COMPLY WITH AMERICAN NATIONAL STANDARDS INSTITUTE'S-- STANDARD 297.1.
- SLIDING GLASS DOORS AND WINDOWS SHALL BE INSTALLED AND CONSTRUCTED SO THAT NO PANEL CAN BE LIFTED FROM THE TRACKS WHEN IN THE LOCKED POSITION AND SO AS TO COMPLY WITH THE ARCHITECTURAL ALUMINUM MFG'S ASSOCIATION STANDARDS FOR FORCED ENTRY RESISTANCE, AAMA 1303.3.
- FRONT MAIN ENTRANCE DOORS SHALL BE PROVIDED WITH A DOOR SCOPE OR VISION PANEL.
- DOOR AND WINDOWS BY CARADCO PRODUCTS (OR EQUAL)

SANTIAGO BOLLIVAR, P.E.
CONSULTING ENGINEER
FL. LIC. No. 53326
265 S. FEDERAL HWY # 453
DEERFIELD BEACH, FL. 33441
TEL: (786) 571-9603

New Duplex
Two Story Residence
1035 N.W. 75 Street
Miami, fl 33150

Project Title:

Notes & Details

This Sheet:

REVISIONS	DATE	DESCRIPTION
1	05.06.191.V.L	
2	06.24.191.V.L	

DESCRIPTION

Date:
Drawn By:

Approved By:

SEAL

SHEET NO.

S-4.0

10 21

THESE DRAWINGS AND DESIGNS ARE THE PROPERTY OF SANTIAGO BOLLIVAR, P.E. AND SHALL BE REPRODUCED WITHOUT HIS WRITTEN CONSENT.